



Model AQ-5300+R
Replacement Cartridge Instructions
for use with AQ-5300+

Do not use with water that is microbiologically unsafe or of unknown quality without adequate disinfection before or after the system.



System tested and certified by NSF International against NSF/ANSI Standard 42, 53 & 401 and conforms to NSF protocol P473 for reduction of claims specified on the Performance Data Sheet and at nsf.org.

- Conforms to NSF/ANSI Standards 42, 53 & 401 and P473 protocol for substances listed on the performance data sheet. See performance data sheet for individual contaminants and reduction performance: Aquasana.com/performance.
- Systems certified of cyst reduction may be used on disinfected waters that may contain filterable cysts.
- Rated capacity: 800 gallons (3,028 liters)

Aquasana, Inc.

6310 Midway Road · Haltom City, Texas 76117 USA · 866.662.6885 · aquasana.com

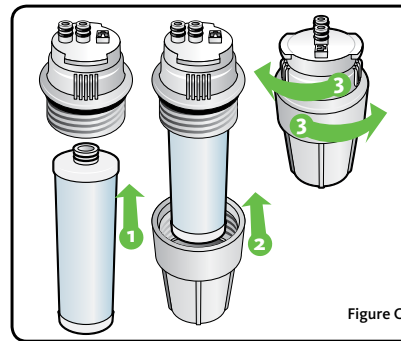
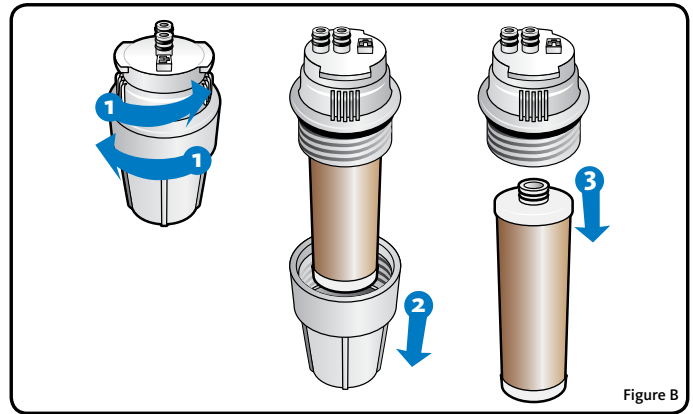
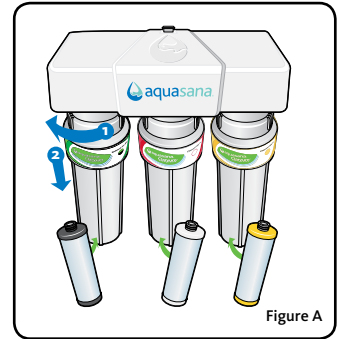
AQ5300+R_REPLACE_20170331

1. Shut off the cold water valve under the sink. Release the pressure from the system by turning on the filtration system faucet. Once there is no longer any water coming from the filtration system faucet, you will be ready to change the filters.

2. Unpack & unwrap the replacement filter cartridges. Each is color coded to match the circle indicator on each cartridge sump.

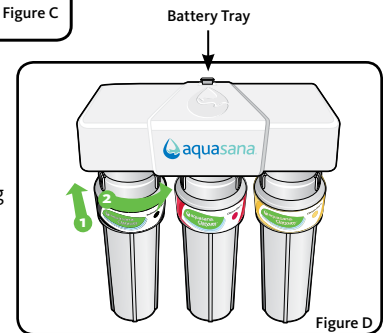
3. Remove each cartridge sump from the filtration system by rotating the sump towards the left side & pull down to detach. (Fig. A)

4. Hold the cartridge sump over the sink, separate the two pieces of the sump by twisting the bottom portion of the sump away from the top, as shown. Pour any excess water down the drain. Pull down on each cartridge to disconnect the filter cartridge from the top half of the sump. (Fig. B)



5. Insert & connect the new filter cartridge to the top half of the sump then reattach the bottom of the sump to the top half by turning & tightening clockwise. (Fig. C)

6. Reattach sump to the bottom of the top housing by making sure all connection points are aligned, pushing the top of the sump up & into the bottom of the top housing & turning the sump towards the right. Ensure that the sump is fully attached and locked in. Black on left, Red in the middle, yellow on right. (Fig. D)



7. Open battery door and remove old battery. Place new battery in, positive side facing to the back. When inserted properly, your system will beep (5) times and blink red. (Fig. E) NOTE: Once the battery is removed and replaced, it will reset the information in your aquasana app.

8. Once all filter cartridges have been changed and sumps are securely attached to the top housing, slowly turn the cold water valve back on. Turn off the filtration system faucet & inspect the filtration system for leaks.

9. Allow the filtered water to run 20 minutes before drinking.

